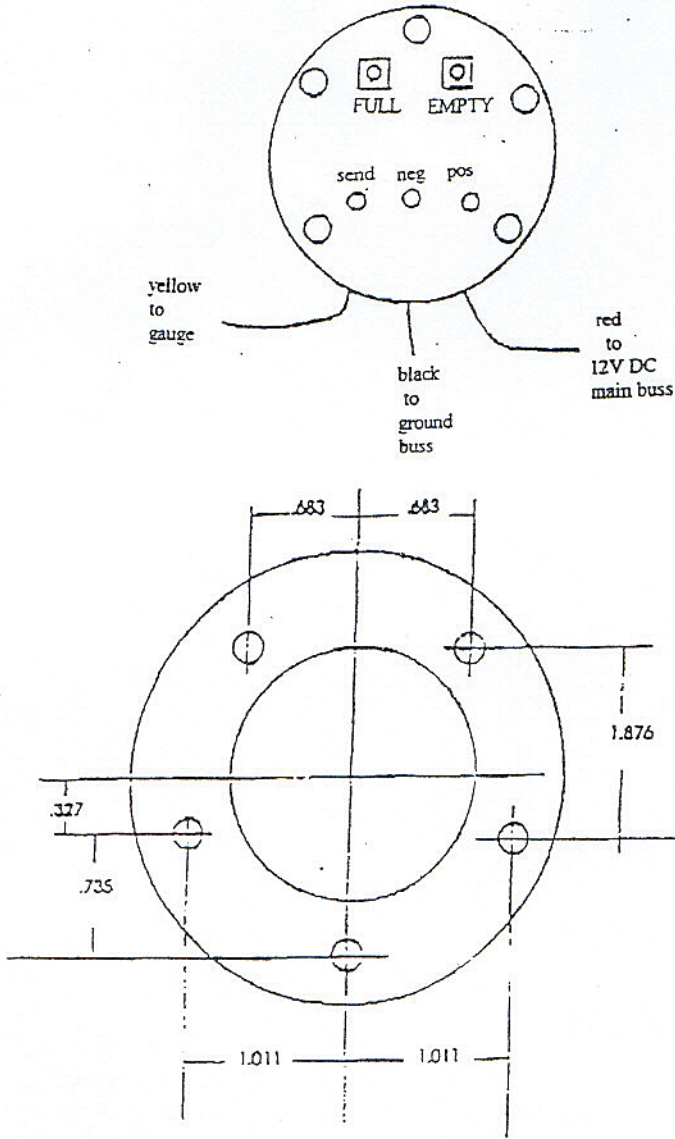


F. DIAGRAM



The mounting flange is  $\frac{3}{4}$ " thick. Use standard 5-bolt pattern. Connection wires exit side of mounting flange.

## Light Aircraft Instruments

AIR TEAM, s.r.o.

Airport Brno-Medlanky

621 00 Brno

Phone: +420 725 508 058

Email: [info@lightaircraftinstruments.eu](mailto:info@lightaircraftinstruments.eu)

Web: [www.lightaircraftinstruments.eu](http://www.lightaircraftinstruments.eu)